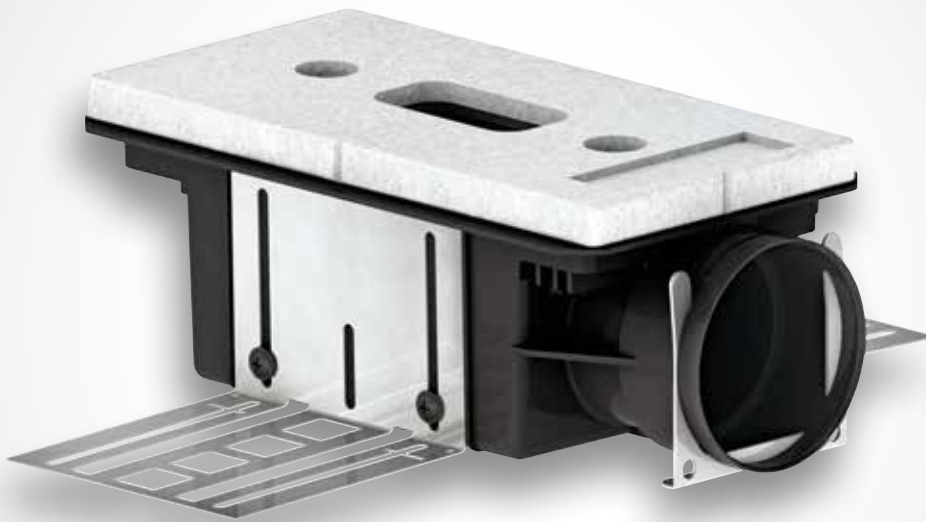


Zehnder CLD-P

Technical specification for grille housing



General

All types for Zehnder TVA-P are available in white (RAL 9016) or in stainless steel as standard. White version is not suitable for use with floor mounting.

The following versions are not suitable for floor mounting due to their static properties: Verona, Roma, Pisa, Torino, Venezia, Genua in white, for Genua and Verona also in stainless steel.



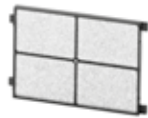
CLD-P side



CLD-P front



ComfoSet



Replacement filter for CLD



Telescopic frame



Zehnder Venezia



Zehnder Pisa



Zehnder Roma



Zehnder Torino



Zehnder Verona



Zehnder Genua

Specifications

Data	Description
Housing material	Plastic (ABS, black RAL 9005)
Length	240 mm / 250 mm
Width	134 mm / 144 mm
Depth	85 / 115 / 140 mm
Air tightness class	D

Benefits

- Suitable for wall, floor or ceiling installation
- Air volumes up to a maximum of 30 m³/h (ComfoTube 75) and 45 m³/h (ComfoTube 90)
- Can be installed in timber or solid constructions
- Extract air filter optional
- Air volume control with optional ComfoSet
- Easy to clean
- Same housing for supply and extract air
- Mounting bracket attached to housing
- Protective cover for unfinished structures with telescopic frame for use as floor outlet

Article numbers

Description	Article number
ComfoTube 75, 85 mm, front	990 320 810
ComfoTube 75, 85 mm, side	990 320 811
ComfoTube 75, 115 mm, front	990 320 812
ComfoTube 75, 115 mm, side	990 320 813
ComfoTube 75, 140 mm, front	990 320 849
ComfoTube 75, 140 mm, side	990 320 850
ComfoTube 90, 115 mm, front	990 320 845
ComfoTube 90, 115 mm, side	990 320 846
ComfoTube 90, 140 mm, front	990 320 851
ComfoTube 90, 140 mm, side	990 320 852
ComfoSet 75 Airflow regulator for ComfoTube 75	990 320 026
ComfoSet 90 Airflow regulator for ComfoTube 90	990 320 027
Replacement filter for extract air housing, ISO Coarse > 45%, contents 10 pieces	990 320 575
Zehnder Roma, white	990 320 611
Zehnder Roma, inox	990 320 610
Zehnder Pisa, white	990 320 621
Zehnder Pisa, inox	990 320 620
Zehnder Torino, white	990 320 631
Zehnder Torino, inox	990 320 630
Zehnder Venezia, white	990 320 641
Zehnder Venezia, inox	990 320 640
Zehnder Genua, white	990 320 661
Zehnder Genua, inox	990 320 660
Zehnder Roma, with 20 mm edge covering, inox	990 320 612
Zehnder Pisa, with 20 mm edge covering, inox	990 320 622
Zehnder Torino, with 20 mm edge covering, inox	990 320 632
Zehnder Venezia, with 20 mm edge covering, inox	990 320 642
Telescopic frame 60-95 mm	990 320 370
Telescopic frame 90-160 mm	990 320 371
Telescopic frame 155-230 mm	990 320 373

Tender specifications

CLD-P grille housing

Cleanable supply and extract air housing consisting of a plastic box and a corresponding connection flange with locking slide technology for ComfoTube 75 / 90 ventilation tubes. The maximum supply/extract air volume is 30 / 45 m³/h, the recommended nominal air volume is 25 / 40 m³/h. The vent is provided with a protective cover and is suitable for installation in all types of walls, ceilings and floors (telescopic frame required for floor installation). Designer grilles can be fitted in the housing for in-wall or on-wall installation. The tube can be connected to either the short or the long side. An extract air filter is available as an optional accessory. An optional in-wall frame is available for concealed installation of the designer grilles.

ComfoSet 75/90

Airflow regulator to regulate the volume flow of air circulating.

Replacement filter for CLD-P

Filter suitable for CLD-P grille housing in extract air. Sold in packs: 10 pcs.

Designer grille

Designer grille 260 x 160 mm, with 2 retaining pins. In white powder-coating and stainless steel versions. Designer grilles are available in a variety of hole patterns and designs. Versions with extra-wide wall covers are available for use with finished parquet floors or laminate flooring.

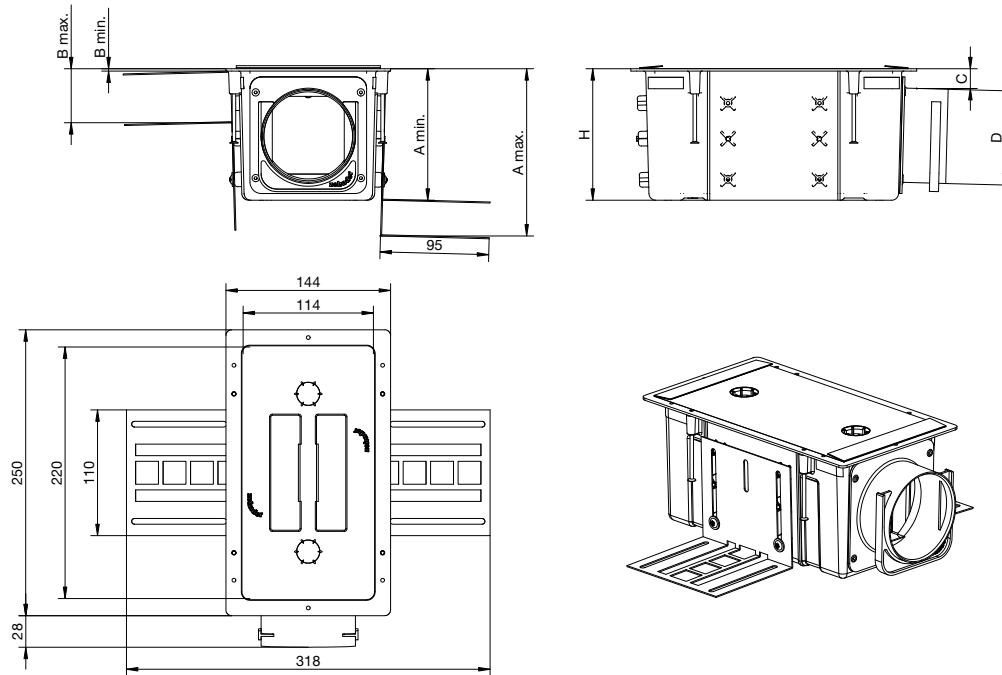
Telescopic frame

For floor installation of the CLD-P grille housing to compensate for the floor structure. The height can be adjusted individually to match the circumstances on site. It is also possible to compensate for minor irregularities in the finished floor. Load distribution ensures that the designer grille cannot collapse. Installation heights available:

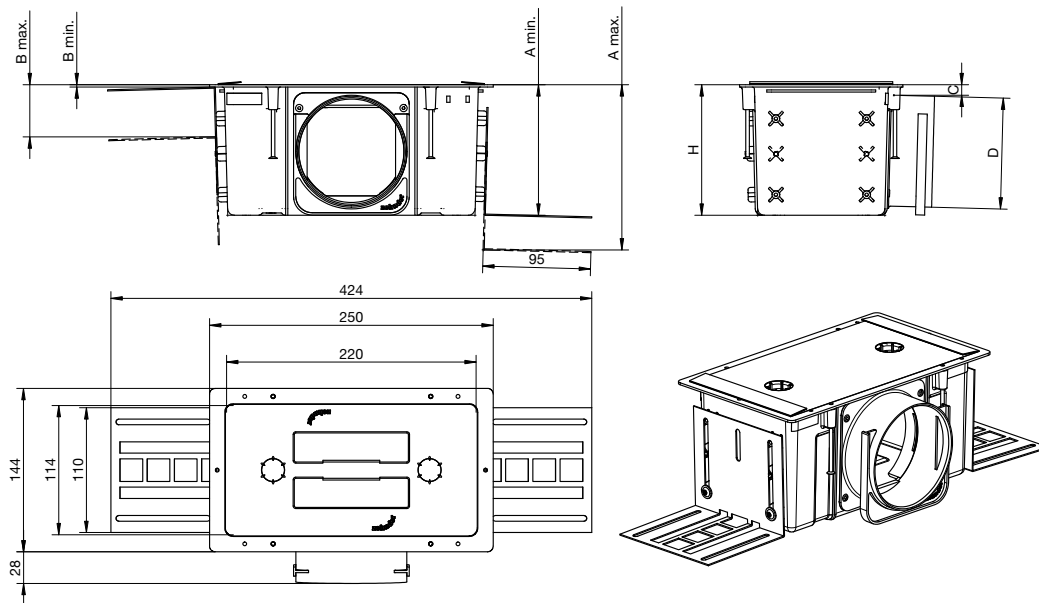
60 – 95 mm
90 – 160 mm
155 – 230 mm

Dimensional drawings

CLD-P front



CLD-P side



Art. no.	Type	D	H	A min.	A max.	B min.	B max.	C
990 320 810	front	75	85	85	143	2	64	19
990 320 811	side	75	85	85	143	2	65	19
990 320 812	front	75	115	115	146	2	47	32
990 320 813	side	75	115	115	146	2	47	32
990 320 845	front	90	115	115	146	2	47	24
990 320 846	side	90	115	115	146	2	47	24
990 320 849	front	75	140	140	165	2	67	57
990 320 850	side	75	140	140	165	2	67	57
990 320 851	front	90	140	140	165	2	67	49
990 320 852	side	90	140	140	165	2	67	49

Pressure loss graph

Shaped elements

