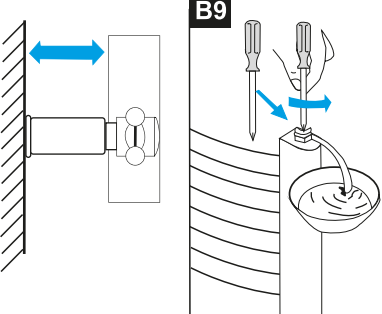
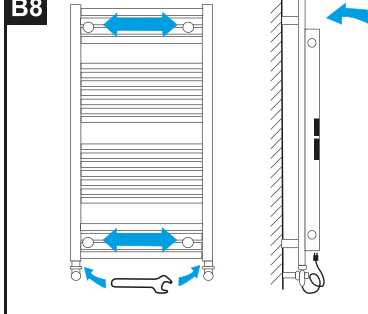
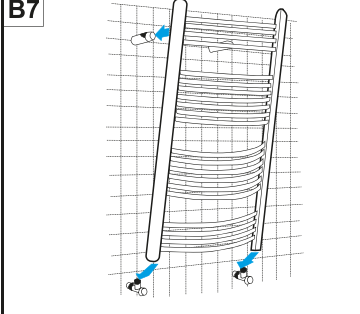
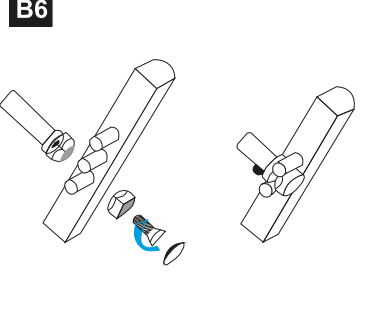
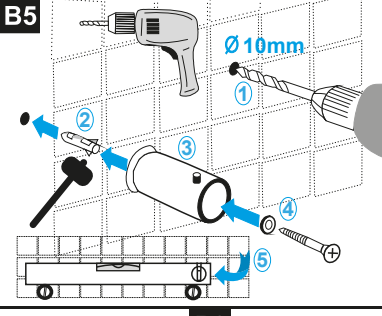
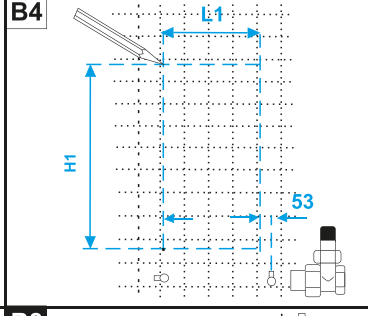
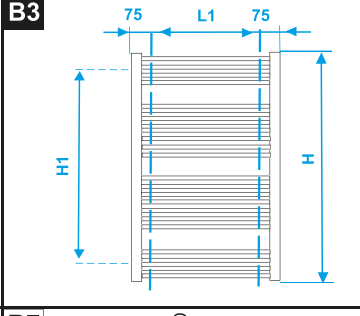
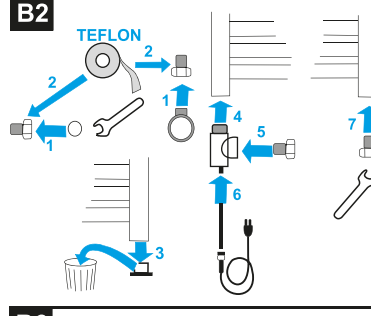
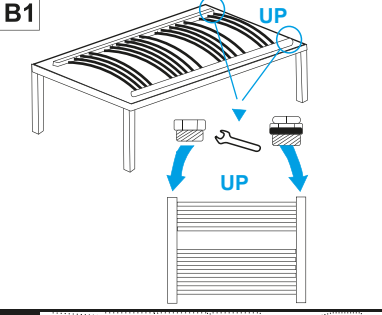
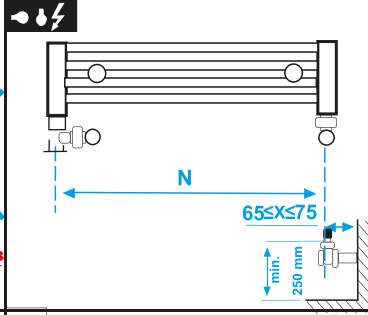
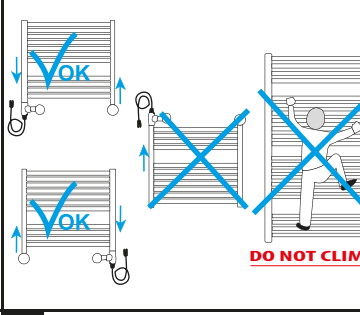
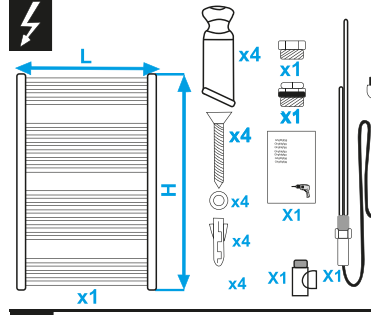
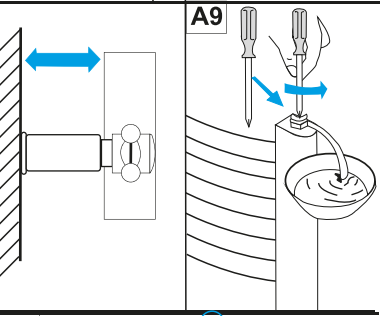
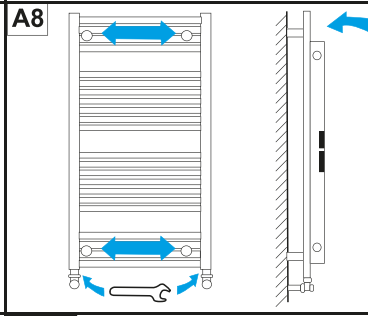
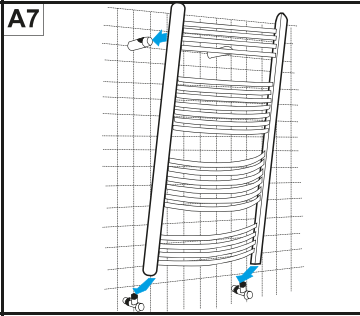
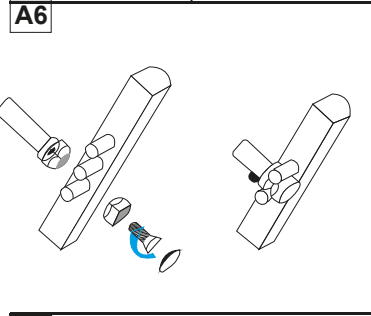
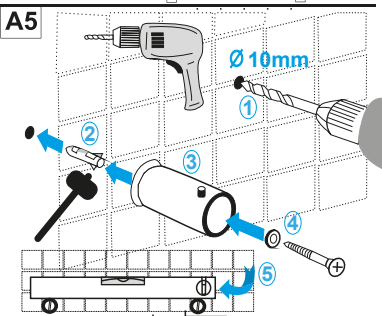
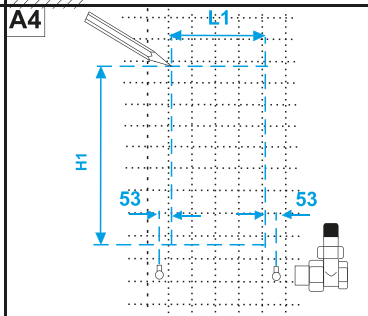
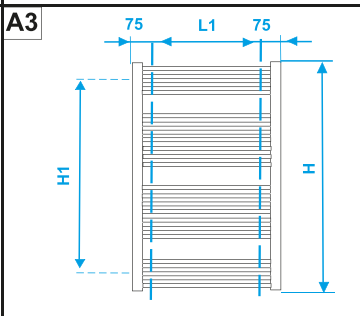
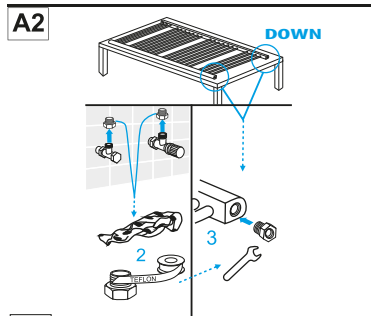
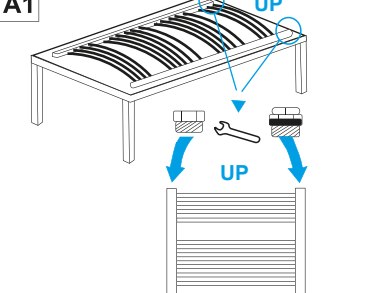
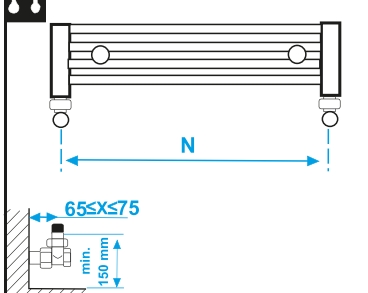
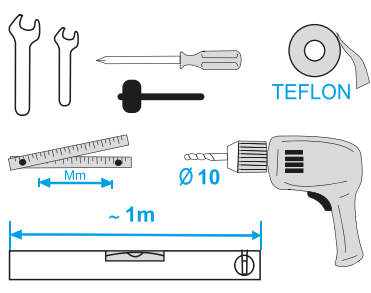
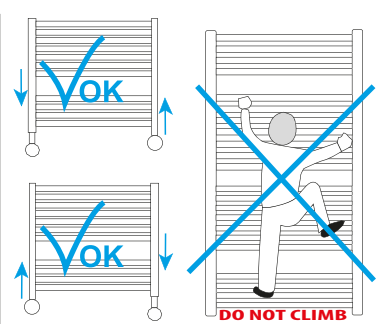
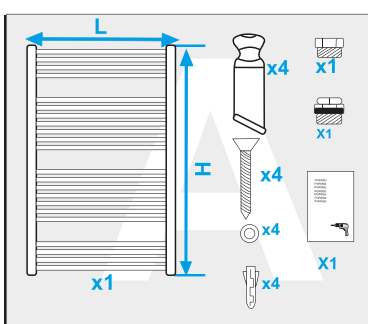
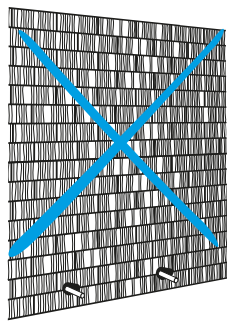
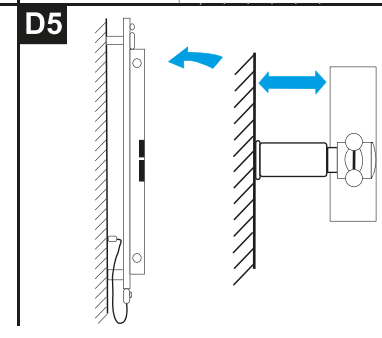
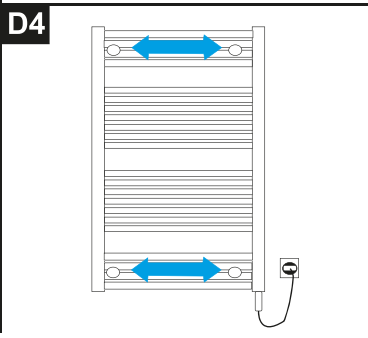
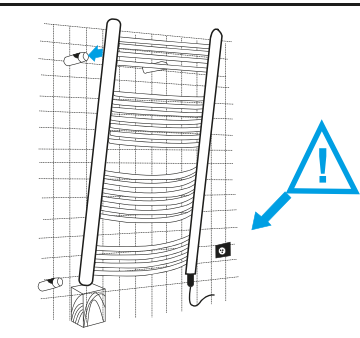
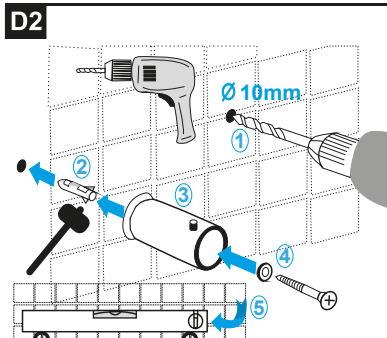
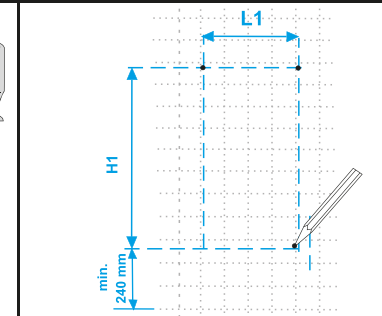
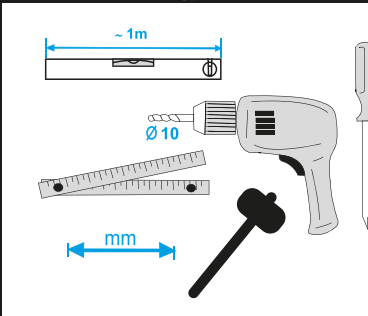
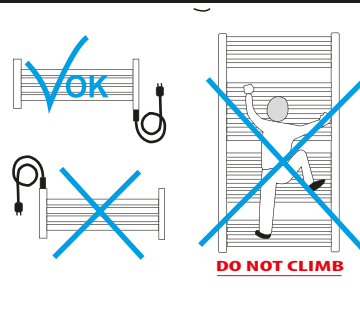
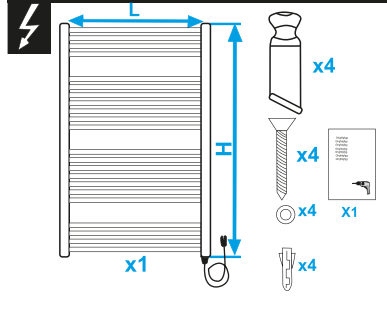
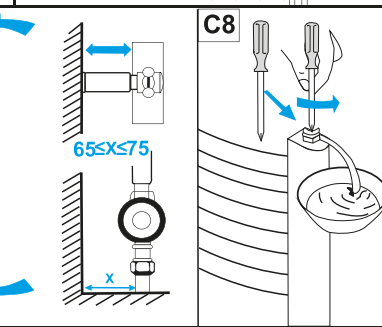
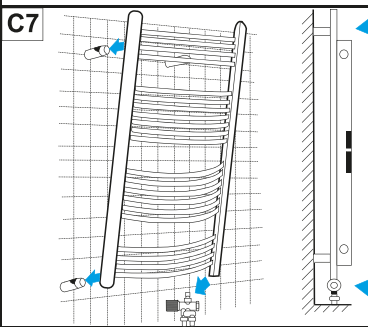
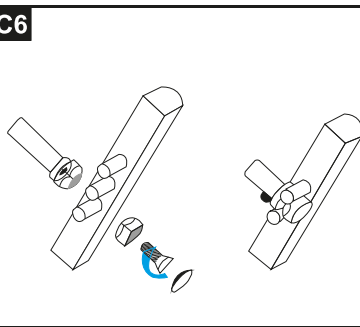
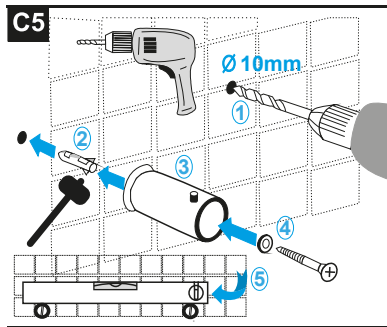
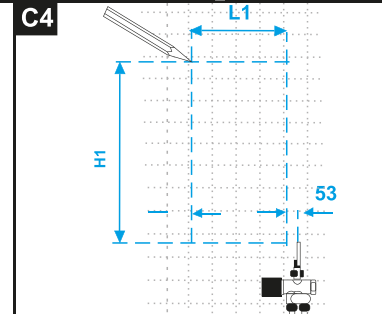
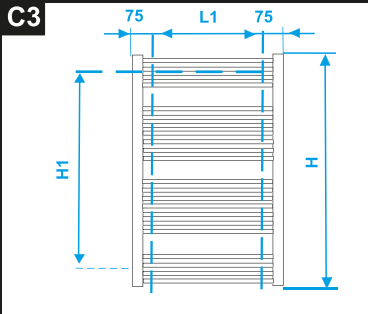
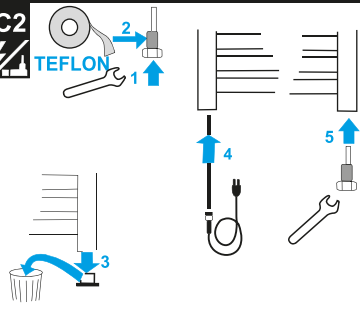
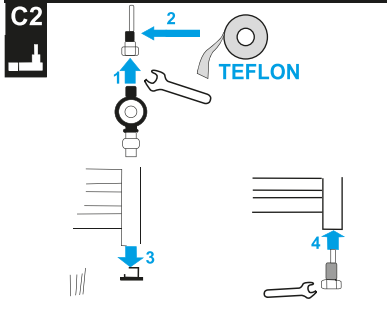
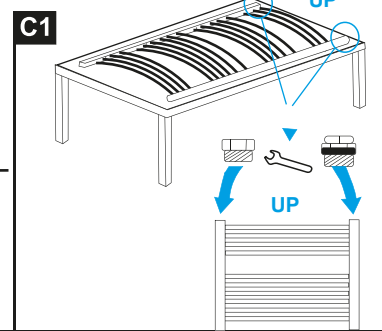
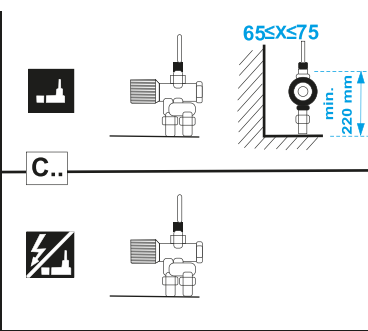
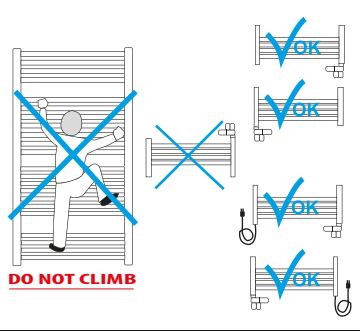
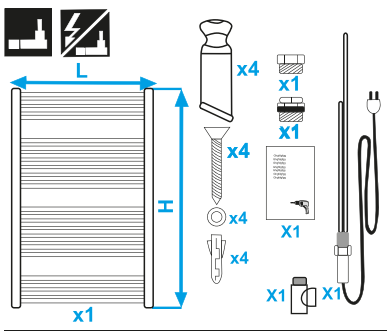


# TYPE T091

- Ⓓ Montageanleitung
- ⒼⒸ Assembly Instructions
- Ⓕ Instructions de montage
- Ⓘ Istruzione di montaggio
- Ⓔ Instrucciones de montaje
- Ⓗ Szerelési utasítás
- ⒼⒹ Montageaanwijzing

© Copyright by PMA 08/06 852 260





- If a colored radiator is dirty due to transport, warehousing or installation, the surface of the radiator should be cleaned with cold or luke warm water. For persistent marks, a neutral or low alkaline cleaner can be used.
- Further cleaning can be achieved by using soft, non-abrasive cloths or rags.
- The surface temperature of the radiator must not be higher than 25 °C during the cleaning process.
- The maximum temperature for the detergent is 25 °C. Do not use steam jet appliances.
- Do not use scraping or abrasive devices. Only use soft cloths for cleaning. Vigorous rubbing is to be avoided.
- Do not use acid or alkaline detergents or wetting agents.
- Do not use organic dissolving agents containing ester, ketone, alcohol, aromatics, glycol ether, halogenated hydrocarbons or other similar products.
- Do not use detergents with unknown compounds.
- Rinse with clear, cold water immediately after cleaning.

H	H <sub>i</sub>
607	420
775	588
1217	1008
1469	1260
1856	1680

L	L <sub>i</sub>	N
400	250	355
448	298	403
494	344	449
595	445	550
747	597	702

