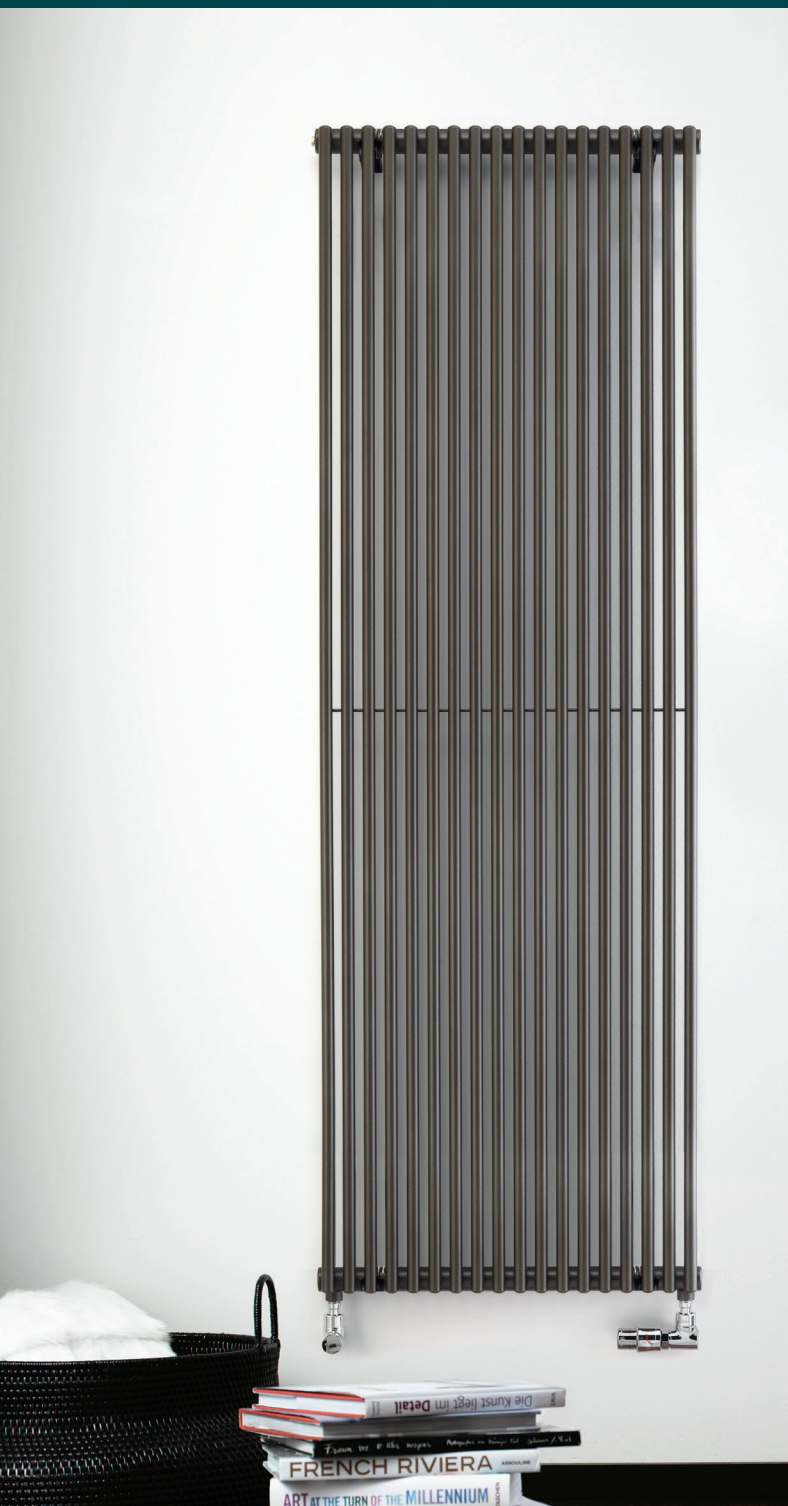


Zehnder Kleo

Hydronic operation

Product data sheet

always the best climate

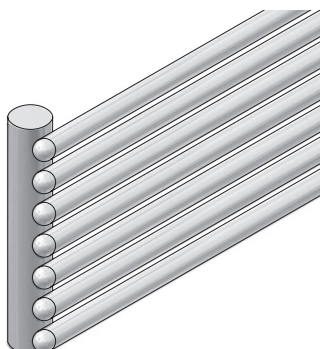


Zehnder Kleo is sophisticated and functional. Its elegant, open and transparent construction is supported by high performance and a lot more: Retrofit models are available for existing pipework. Special solutions are also readily available. Zehnder Kleo is also available as a room divider. Available in almost any colour and finish from the Zehnder colour chart.

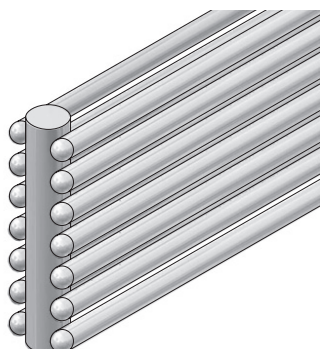
Advantages

- Retrofit models available for existing pipework, providing simple installation for renovation projects
- Light, seamless design through its element construction
- Special solutions support a wide range of application, such as room divider
- High proportion of radiation ensures comfort
- Complies with statutory safety regulations
- Compatible with a heat pump and/or low-temperature systems

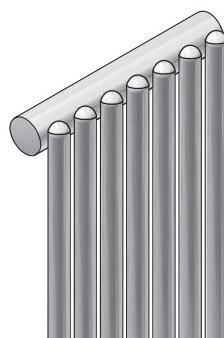
Model overview



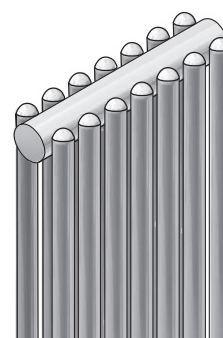
Models KLH (horizontal)
Single-layer version



Models KLHD (horizontal)
Double-layer version



Models KLV (vertical)
Single-layer version



Models KLVD (vertical)
Double-layer version

Models KLH

Technical data per metre

Model	H mm	T mm	Heat output					
			75/65/20 °C Watts	70/55/24 °C Watts	55/45/24 °C Watts	55/45/20 °C Watts	50/40/22 °C Watts	50/40/20 °C Watts

Single-layer version

KLH-032	332	55	418	306	191	226	165	182
KLH-038	398	55	515	376	235	279	203	224
KLH-045	464	55	611	441	270	323	232	257
KLH-048	497	55	654	472	289	345	248	275
KLH-052	530	55	697	503	308	368	264	293
KLH-058	596	55	782	564	345	413	296	329
KLH-065	662	55	867	625	383	458	328	365
KLH-071	728	55	951	686	420	502	360	400
KLH-078	794	55	1034	746	457	546	392	435
KLH-085	860	55	1117	806	493	590	423	470
KLH-091	926	55	1200	877	548	650	473	522
KLH-098	992	55	1282	927	570	680	489	543

H = height, T = depth

75/65/20 = Nominal heat output according to EN 442

Models KLH

Technical data per metre

Model	H mm	T mm	Heat output					
			75/65/20 °C Watts	70/55/24 °C Watts	55/45/24 °C Watts	55/45/20 °C Watts	50/40/22 °C Watts	50/40/20 °C Watts

Single-layer version

KLH-104	1058	55	1364	986	606	724	521	578
KLH-111	1124	55	1445	1045	642	767	552	612
KLH-118	1190	55	1526	1104	678	810	583	646
KLH-124	1256	55	1606	1161	714	852	613	680
KLH-137	1388	55	1765	1290	805	956	695	768

H = height, T = depth

75/65/20 = Nominal heat output according to EN 442

Models KLHD

Technical data per metre

Model	H mm	T mm	Heat output					
			75/65/20 °C Watts	70/55/24 °C Watts	55/45/24 °C Watts	55/45/20 °C Watts	50/40/22 °C Watts	50/40/20 °C Watts

Double-layer version

KLHD-038	398	72	856	616	376	450	322	357
KLHD-045	464	72	977	703	429	513	367	408
KLHD-052	530	72	1095	788	480	575	412	457
KLHD-058	596	72	1211	871	531	636	455	506
KLHD-065	662	72	1325	953	581	696	498	553
KLHD-071	728	72	1438	1035	631	756	541	600
KLHD-078	794	72	1549	1114	680	814	582	647
KLHD-085	860	72	1659	1194	728	872	624	693
KLHD-091	926	72	1767	1271	775	928	664	738
KLHD-098	992	72	1875	1349	823	985	705	783

H = height, T = depth

75/65/20 = Nominal heat output according to EN 442

Models KLHD

Technical data per metre

Model	H mm	T mm	Heat output					
			75/65/20 °C Watts	70/55/24 °C Watts	55/45/24 °C Watts	55/45/20 °C Watts	50/40/22 °C Watts	50/40/20 °C Watts

Double-layer version

KLHD-104	1058	72	1982	1426	870	1041	745	828
KLHD-111	1124	72	2087	1501	916	1097	785	871
KLHD-118	1190	72	2192	1577	962	1152	824	915

H = height, T = depth

75/65/20 = Nominal heat output according to EN 442

Models KLV

Technical data per element

Model	H mm	T mm	Heat output					
			75/65/20 °C Watts	70/55/24 °C Watts	55/45/24 °C Watts	55/45/20 °C Watts	50/40/22 °C Watts	50/40/20 °C Watts

Single-layer version

KLV-050	500	55	22.3	16	10	11.7	8	9.3
KLV-060	600	55	26.1	19	11	13.7	10	10.9
KLV-080	800	55	33.7	24	15	17.6	13	13.9
KLV-100	1000	55	41.1	29	18	21.4	15	17
KLV-120	1200	55	48.5	35	21	25.3	18	20.1
KLV-140	1400	55	55.8	40	24	29.1	21	23.1
KLV-160	1600	55	63	45	27	32.9	24	26.1
KLV-180	1800	55	70.2	50	30	36.5	26	28.9
KLV-200	2000	55	77.5	55	34	40.3	29	31.9
KLV-220	2200	55	84.7	61	37	44	31	34.8
KLV-250	2500	55	95.6	68	41	49.7	35	39.3
KLV-260	3000	55	114	92.4	-	58.9	-	-
KLV-280	2800	55	107	76	46	55.3	39	43.7
KLV-300	3000	55	114	81	49	58.9	42	46.6

H = height, T = depth

75/65/20 = Nominal heat output according to EN 442

Models KLVD

Technical data per element

Model	H mm	T mm	Heat output					
			75/65/20 °C Watts	70/55/24 °C Watts	55/45/24 °C Watts	55/45/20 °C Watts	50/40/22 °C Watts	50/40/20 °C Watts

Double-layer version

KLVD-050	500	72	34.3	25	15	17.8	13	14.1
KLVD-060	600	72	40.4	29	17	21	15	16.6
KLVD-080	800	72	52.3	37	23	27.2	19	21.5
KLVD-100	1000	72	63.8	46	28	33.3	24	26.4
KLVD-120	1200	72	74.9	54	33	39.1	28	31
KLVD-150	1500	72	91	65	40	47.5	34	37.7
KLVD-160	2000	72	116	94.3	-	60.6	-	-
KLVD-180	1800	72	106	76	46	55.4	40	43.9
KLVD-220	2200	72	126	91	55	66.2	47	52.6
KLVD-240	3000	72	162	131	-	83.8	-	-
KLVD-250	2500	72	140	114	61	73.5	53	58.4
KLVD-280	2800	72	153	124	66	79.1	56	62.5
KLVD-300	3000	72	162	131	70	83.8	59	66.2

H = height, T = depth

75/65/20 = Nominal heat output according to EN 442